

SPECIFICATION

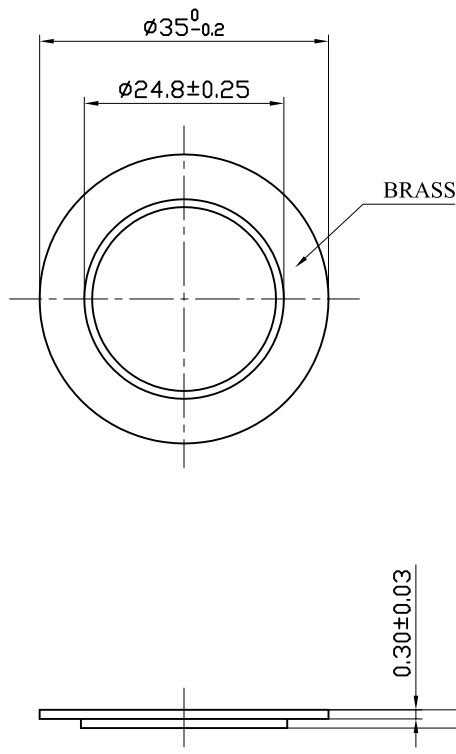
1. SCOPE

This specification is applied to the piezo-element.

2. SPECIFICATION

(at 25°C)

- | | | |
|---------------------------|---|-----------------------|
| 2.1 Resonant Frequency | : | 2.8±0.5 KHz |
| 2.2 Resonant Resistance | : | 350 Ω max |
| 2.3 Capacitance | : | 32000 pF±30% at 100Hz |
| 2.4 Input Voltage | : | 30 Vp-p max |
| 2.5 Operating Temperature | : | -20~+50°C |
| 2.6 Storage Temperature | : | -20~+70°C |
| 3. DIMENSION | : | as per figure |



TOLERANCES UNLESS NOTED OTHERWISE .X ± .XX ± .XXX ± 90° FORMED +2° ANGLES -1° FIRST ANGLE PROJECTION 	DRAWN		KEPO MODEL NO.	CUSTOMER			
	DESIGN		MFT-35T-2.8A1	CUSTOMER NO.			
	CHECKED						
	APPROVED		DWG NO.	VER	1.1	SCALE	
	DATE	03.08.07	KP3.840.807.01	UNIT	mm	SHEET	
	CONTRACT NO.			KEPO CO., LTD. TEL:(+86)574-88370330 FAX:(+86)574-88370329			
AGENCY APPROVAL							